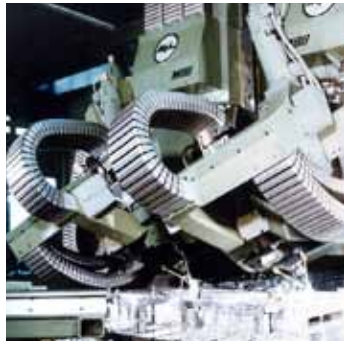


CONDUFLEX

repairable
flexible tubes
Flexible Armored Tube
energy conduits

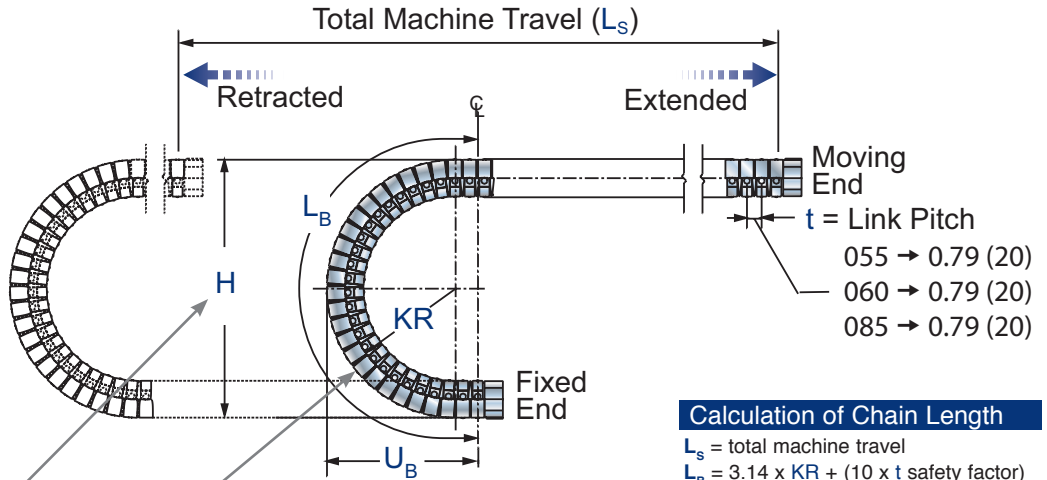


Key Features:

- Extremely durable and cable-friendly, fiber-reinforced nylon liner
- Shiny corrosion resistant and durable stainless-steel outer shell to protect against red-hot chips
- Quick and easy carrier length modification or repair
- Multiple mounting bracket configurations allow for surface and flush face connections
- Should the brackets incur incidental damage, they can easily be replaced
- TÜV type approved in accordance with 2 PfG 1036/10.97

GENERAL DATA

E	CONOMIC
V	ALUE
A	DDED
6	
<p>A product group's EVA score is a general indicator that allows a customer to quickly and easily compare a product group's basic price, features, capabilities and value relative to other comparably sized products within the KS product range.</p>	
<p>Download 3D CAD files, videos, updated product info & much more at: www.kabelschlepp.com/conduflex.htm</p>	



Calculation of Chain Length

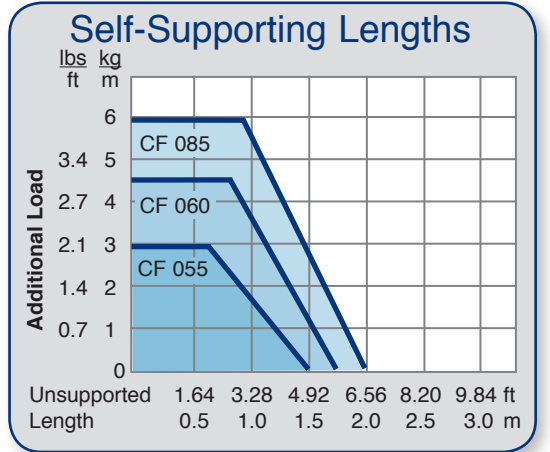
L_s = total machine travel
 $L_b = 3.14 \times KR + (10 \times t \text{ safety factor})$
 L_k = chain length required
 $L_k = L_s \div 2 + \text{length of the curve } (L_b)^*$

* Assumes the Fixed Point is located at the Center of the Total Machine Travel.

Dimensions in inches (mm)

Technical Data

		Mounting Height H	Bend Radius KR	Depot U_B	Loop Length L_B
CF 055	Option A	6.61 (168)	2.56 (65)	7.24 (184)	15.94 (405)
	Option B	9.37 (238)	3.94 (100)	8.62 (219)	20.28 (515)
	Option C	13.31 (338)	5.91 (150)	10.59 (269)	26.57 (675)
CF 060	Option	9.92 (252)	3.94 (100)	8.90 (226)	20.28 (515)
CF 085	Option A	9.92 (252)	3.94 (100)	8.90 (226)	20.28 (515)
	Option B	13.86 (352)	5.91 (150)	10.87 (276)	26.57 (675)
	Option C	17.80 (452)	7.87 (200)	12.84 (326)	32.68 (830)
	Option D	21.73 (552)	9.84 (250)	14.80 (376)	38.78 (985)



How To Order
1-800-443-4216



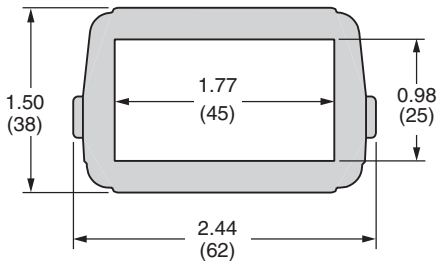
Number of **Systems Req.** x Carrier **Type** + Bend **Radius** x Links in **Length** + Sets of **Brackets** + Type of **Brackets** & Bracket **Position**
 ↓ ↓ ↓ ↓ ↓ ↓ ↓ ↓ ↓ ↓ ↓ ↓
4 x **085** - **100** x **100 Links** + **1 Set** + **Standard** **Pos. # 2**

Specifications are subject to change without notice. KSA-0810-GC

Fully Enclosed Tube - available widths

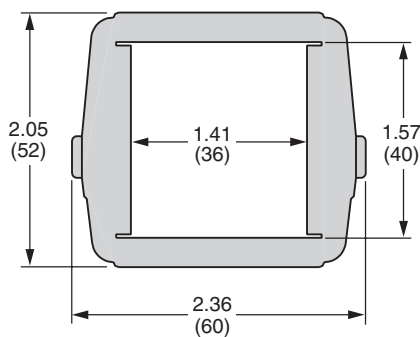
CF 055

Chain Weight:
1.25 kg/m



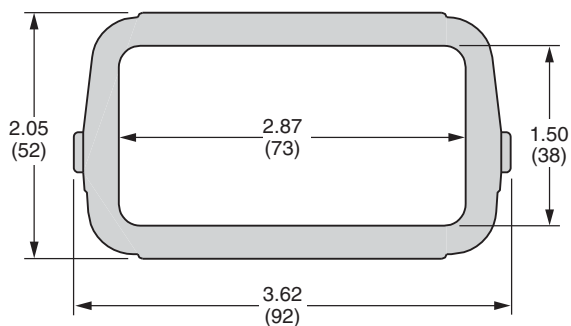
CF 060

Chain Weight:
1.60 kg/m



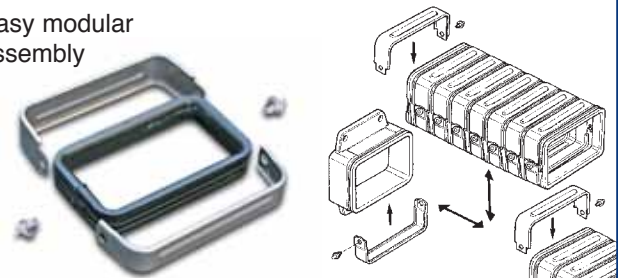
CF 085

Chain Weight:
1.90 kg/m



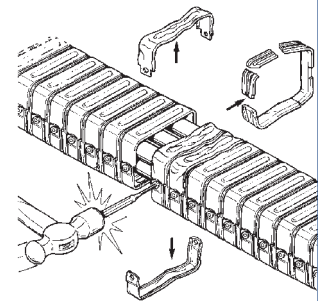
Easy to repair and service

Easy modular assembly

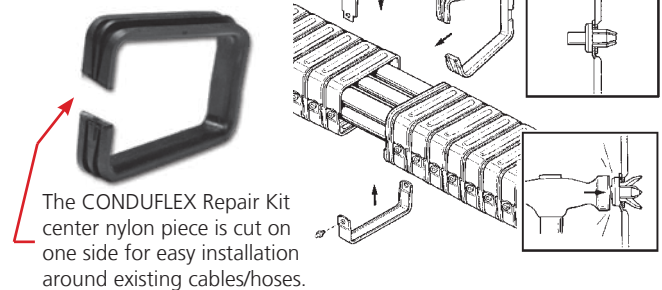


Each CONDUFLEX Repair Kit consists of a top and bottom metal piece, a center nylon piece (cut on one side for easy installation), and 2 connecting rivets. Make sure to specify the correct size and bend radius KR when ordering

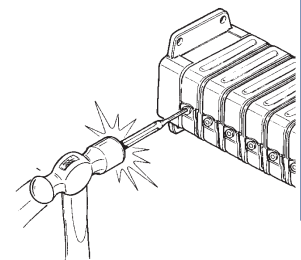
Repair damaged sections



Lengthen sections



Alter mounting brackets



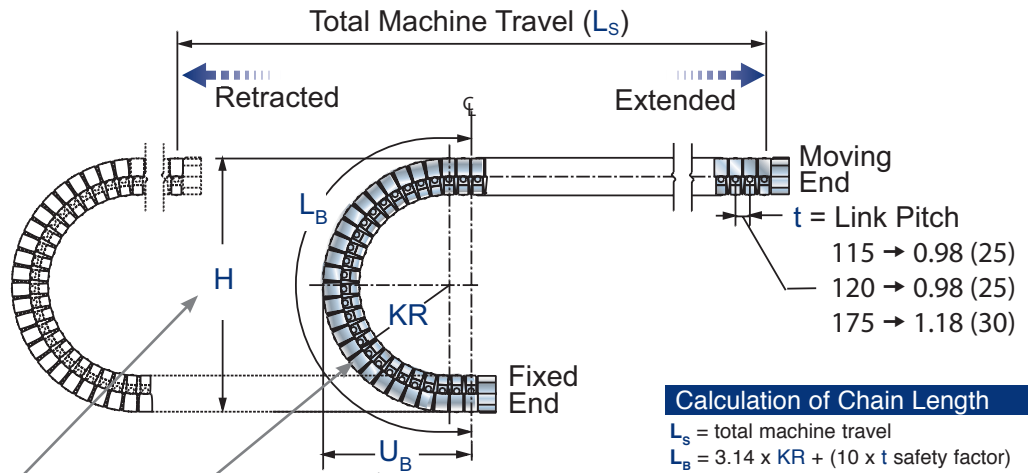
Note:

For drawings and dimensions of available Mounting Bracket options: See pages 21.06 -21.07



GENERAL DATA

E	CONOMIC
V	ALUE
A	DDED
6	
<p>A product group's EVA score is a general indicator that allows a customer to quickly and easily compare a product group's basic price, features, capabilities and value relative to other comparably sized products within the KS product range.</p>	
<p>Download 3D CAD files, videos, updated product info & much more at: www.kabelschlepp.com/conduflex.htm</p>	



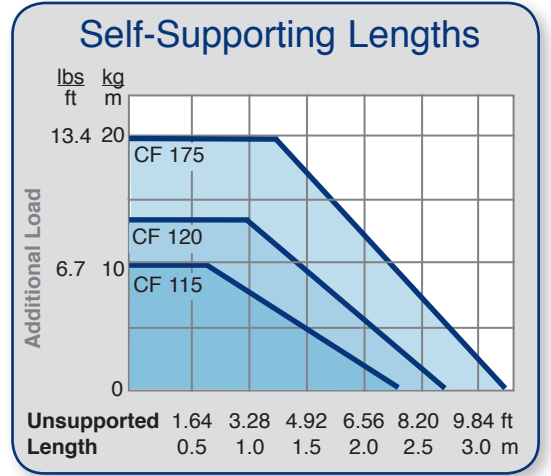
Calculation of Chain Length

- L_s = total machine travel
 - $L_B = 3.14 \times KR + (10 \times t \text{ safety factor})$
 - L_K = chain length required
 - $L_K = L_s \div 2 + \text{length of the curve } (L_B)^*$
- * Assumes the Fixed Point is located at the Center of the Total Machine Travel.

Dimensions in inches (mm)

Technical Data

		Mounting Height H	Bend Radius KR	Depot U_B	Loop Length L_B
CF 115	Option A	13.66 (347)	5.51 (140)	11.77 (299)	27.17 (690)
	Option B	20.35 (517)	8.86 (225)	15.12 (384)	37.80 (960)
	Option C	26.26 (667)	11.81 (300)	18.07 (459)	47.24 (1200)
CF 120	Option A	15.59 (396)	6.10 (155)	12.72 (323)	29.13 (740)
	Option B	19.13 (486)	7.87 (200)	14.49 (368)	34.65 (880)
CF 175	Option A	18.27 (464)	7.28 (185)	15.04 (382)	32.68 (830)
	Option B	23.39 (594)	9.84 (250)	17.60 (447)	40.75 (1035)
	Option C	31.26 (794)	13.78 (350)	21.54 (547)	55.12 (1400)



How To Order

1-800-443-4216



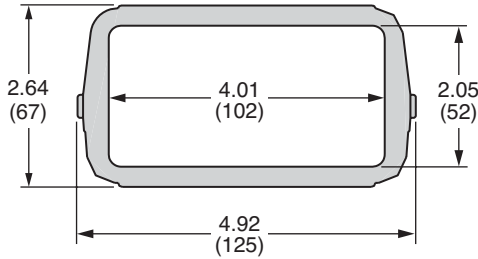
Number of Systems Req. x Carrier Type + Bend Radius x Links in Length + Sets of Brackets + Type of Brackets & Bracket Position
4 x 120 - 200 x 100 Links + 1 Set + Diagonal Pos. # 1

Specifications are subject to change without notice. KSA-0810-GC

Fully Enclosed Tube - available widths

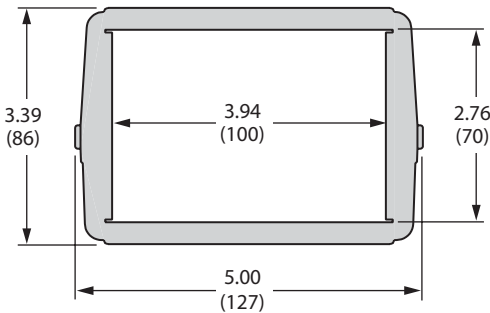
CF 115

Chain Weight:
2.60 kg/m



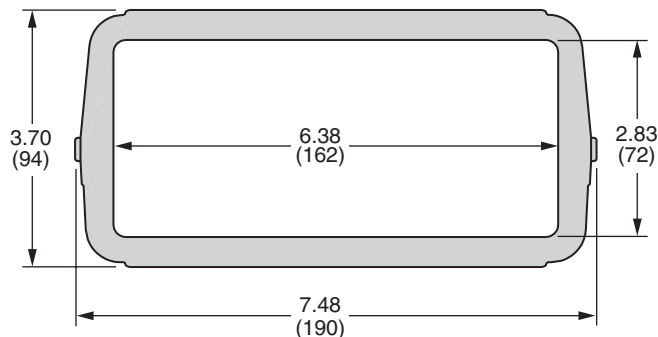
CF 120

Chain Weight:
3.80 kg/m



CF 175

Chain Weight:
5.20 kg/m



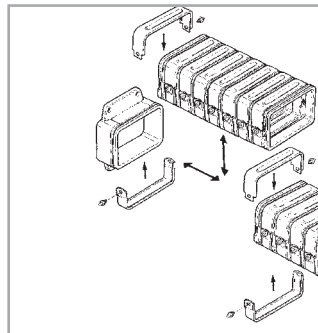
Added hot chip protection

In applications where there is an accumulation of red hot chips or other debris, CONDUFLEX types CF 055, CF 085, CF 115, and CF 175 can be fitted with protective guards to protect the nylon connection joint slots.

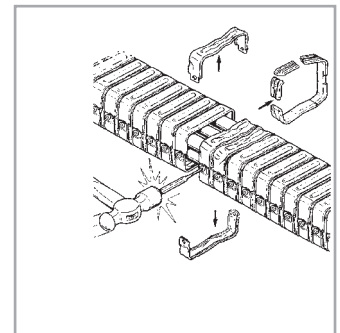


Call for detailed information: (800) 443-4216

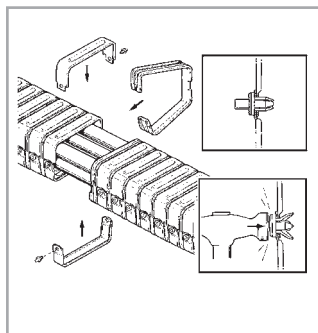
Easy repair and service



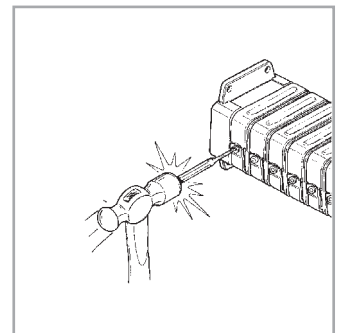
Easy modular assembly for quick changes in length



Repair or remove damaged sections



Lengthen sections



Alter mounting brackets

Note:

For drawings and dimensions of available Mounting Bracket options: See pages 21.06 -21.07



Specifications are subject to change without notice.
KSA-0810-GC



MOUNTING BRACKETS OPTIONS

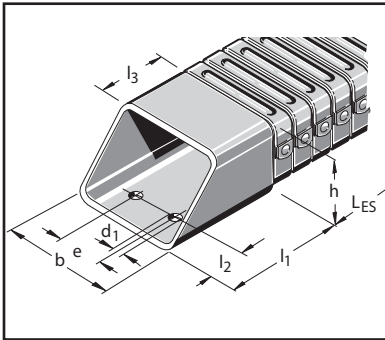


Diagonal Flange Brackets

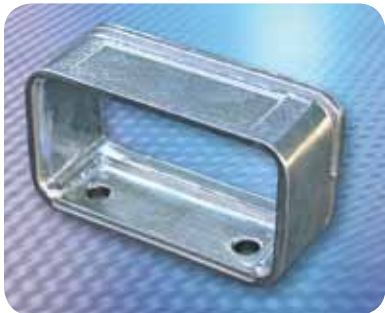
Diagonal flange brackets can be installed so that the mounting surface is on either the inside radius or the outside radius. Please specify how you would like the bracket installed when placing your order.

Additionally, you can mix bracket types on a CONDUFLEX assembly. For example, you can have a Diagonal Bracket (inside facing) on one end and a High Flange Bracket on the other end.

mounting bracket positions for diagonal flange brackets



CONDUFLEX								
Type	b	h	e	d ₁	l ₁	l ₂	l ₃	
CF 055	2.17 (55)	1.42 (36)	0.87 (22)	0.26 (6.50)	1.73 (44)	0.49 (12.50)	0.79 (20)	
CF 060	2.17 (55)	2.04 (52)	0.87 (22)	0.26 (6.50)	1.73 (44)	0.49 (12.50)	0.79 (20)	
CF 085	3.35 (85)	1.97 (50)	1.97 (50)	0.26 (6.50)	2.76 (70)	0.59 (15.00)	1.26 (32)	
CF 115	4.61 (117)	2.60 (66)	2.76 (70)	0.33 (8.50)	3.31 (84)	0.69 (17.50)	1.34 (34)	
CF 120	4.72 (120)	3.31 (84)	2.76 (70)	0.33 (8.50)	3.23 (82)	0.69 (17.50)	1.89 (48)	
CF 175	7.17 (182)	3.62 (92)	3.94 (100)	0.41 (10.50)	3.94 (100)	0.86 (22.50)	1.77 (45)	

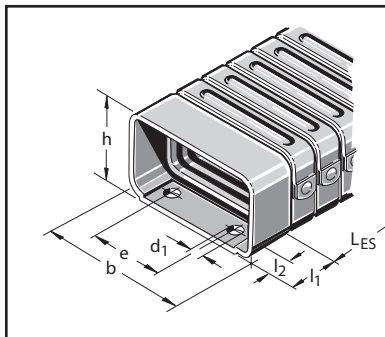


Standard Brackets

Standard brackets can be installed so that the mounting surface is on either the inside radius or the outside radius. Please specify how you would like the bracket installed when placing your order.

Additionally, you can mix bracket types on a CONDUFLEX assembly. For example, you can have a Standard Bracket (inside facing) on one end and a Cross Flange Bracket on the other end.

mounting bracket positions for standard brackets

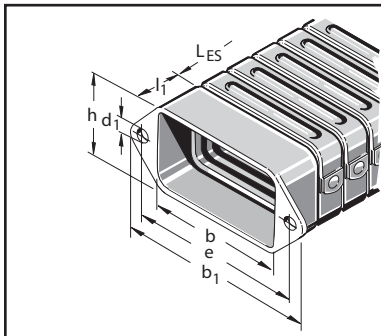


CONDUFLEX						
Type	b	h	e	d ₁	l ₁	l ₂
CF 055	2.17 (55)	1.42 (36)	0.86 (22)	0.26 (6.50)	0.79 (20)	0.33 (8.50)
CF 060	--	--	--	--	--	--
CF 085	3.35 (85)	2.05 (52)	1.97 (50)	0.26 (6.50)	0.98 (25)	0.39 (10.00)
CF 115	4.57 (116)	2.68 (68)	2.56 (68)	0.33 (8.50)	1.38 (35)	0.39 (10.00)
CF 120	4.72 (120)	3.31 (84)	2.76 (70)	0.33 (8.50)	1.38 (35)	0.49 (12.50)
CF 175	7.17 (182)	3.62 (92)	3.94 (100)	0.41 (10.50)	1.57 (40)	0.59 (15.00)



Cross Flange Brackets

In addition to having Cross Flange Brackets on both ends, you can mix bracket types on a CONDUFLEX assembly. For example, you can have a Cross Flange Bracket on the fixed end and a Standard Bracket (outside facing) on the moving end.

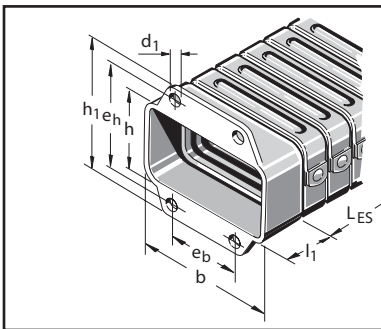


CONDUFLEX Type	b	h	b ₁	e	d ₁	l ₁
CF 055	2.17 (55)	1.38 (35)	3.54 (90)	2.95 (75)	0.26 (6.50)	0.79 (20)
CF 060	--	--	--	--	--	--
CF 085	3.35 (85)	1.97 (50)	4.72 (120)	4.13 (105)	0.26 (6.50)	0.98 (25)
CF 115	4.57 (116)	2.52 (64)	6.30 (160)	5.51 (140)	0.33 (8.50)	1.38 (35)
CF 120	--	--	--	--	--	--
CF 175	7.17 (182)	3.54 (90)	8.90 (226)	7.87 (200)	0.41 (10.50)	1.57 (40)



High Flange Brackets

In addition to having High Flange Brackets on both ends, you can mix bracket types on a CONDUFLEX assembly. For example, you can have a High Flange Bracket on the fixed end and a Diagonal Flange Bracket on the moving end.



CONDUFLEX Type	b	h	h ₁	e _b	e _h	d ₁	l ₁
CF 055	2.17 (55)	1.38 (35)	2.76 (70)	0.71 (18)	2.17 (55)	0.26 (6.50)	0.79 (20)
CF 060	--	--	--	--	--	--	--
CF 085	3.35 (85)	1.97 (50)	3.35 (85)	1.77 (45)	2.76 (70)	0.26 (6.50)	0.98 (25)
CF 115	4.57 (116)	2.52 (64)	4.33 (110)	2.36 (60)	3.54 (90)	0.33 (8.50)	1.38 (35)
CF 120	--	--	--	--	--	--	--
CF 175	7.17 (182)	3.54 (90)	5.35 (136)	3.74 (95)	4.33 (110)	0.41 (10.50)	1.57 (40)

KABELSCHLEPP

A member of the TSUBAKI GROUP

KabelSchlepp America, Inc.
7100 W. Marcia Road, Milwaukee, WI 53223 - USA

www.kabelschlepp.com
sales@kabelschlepp.com

Phone: 414-354-1994
Fax: 414-354-1900